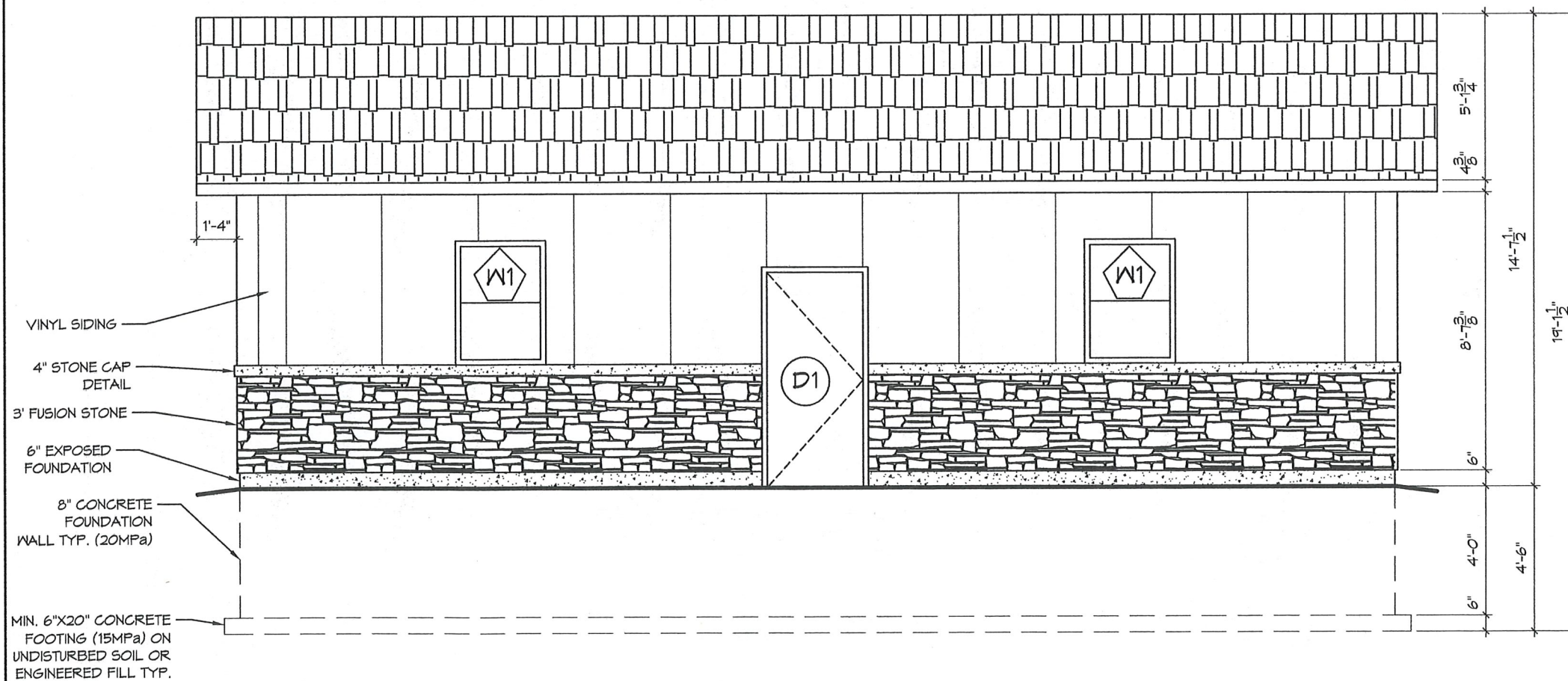


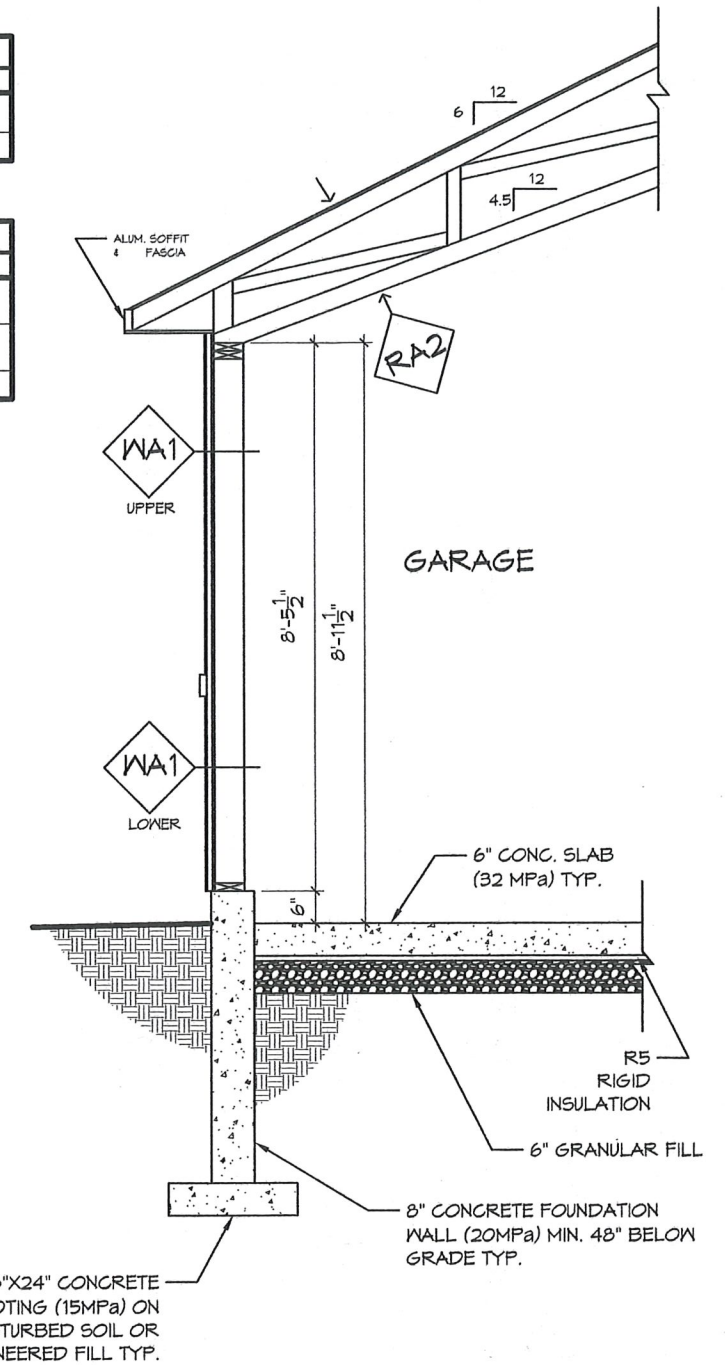
**1 WEST-ELEVATION**  
 Scale: 1/2" = 1'-0"

WINDOW SCHEDULE			
Mark	Size	R.O.	Qty.
W1	30" x 42"	32" x 44"	2
Total Number of Windows			2

DOOR SCHEDULE			
Mark	Size	R.O.	Qty.
D1	3'-0" x 6'-8"	3'-2" x 6'-10"	1
D2	12'-0" x 8'-0"	12'-3" x 8'-0"	1
Total Number of Doors			2



**2 SOUTH-ELEVATION**  
 Scale: 1/2" = 1'-0"



**3 SECTION**  
 Scale: 3/4" = 1'-0"

Raezor's Edge General Contractor	
43 Ridewood Cres. St. Marys, On. N4X 1E8	
PROJECT:	Mark Armstrong Garage 469 Queen. St. St. Marys, ON N4X 1B9
DRAWING TITLE:	West Elevation South Elevation
PLOT DATE:	04/14/2022
REVISION:	Upper Thames Review: 1.0
DRAWN BY:	AH
SCALE:	As Indicated
CLIENT APPROVAL:	month/day/year
CHECKED BY:	
PROJECT No:	21-014
DRAWING NUMBER:	

**A-2**