

A B C D

- NOTES**
1. STRUCTURAL DESIGN SCOPE INCLUDES METAL FRAME, FOUNDATION CONNECTION PLATE, AND ENCLOSURE ONLY - ANCHORAGE IS RESPONSIBILITY OF OTHERS.
 2. FRAME HAS BEEN DESIGNED FOR THE FOLLOWING PARAMETERS IN ACCORDANCE WITH FIGURE P-24 IN THE STRUCTURAL COMMENTARY:
 - Ct = 1.1
 - Cn = 1.0
 - Cg = 2.0
 - Ce = 0.9
 3. MENU BOARD STRUCTURE HAS BEEN QUALIFIED FOR INSTALLATION IN ALL ONTARIO LOCATIONS WITH Q(I/50) LESS THAN OR EQUAL TO 0.78KPA AS INDICATED IN THE CLIMATIC DATA IN ORC 2012.

MATERIAL SPECIFICATIONS

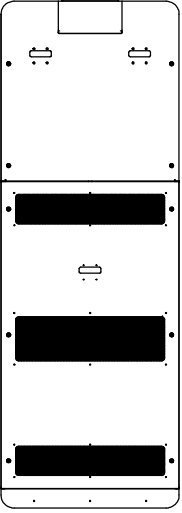
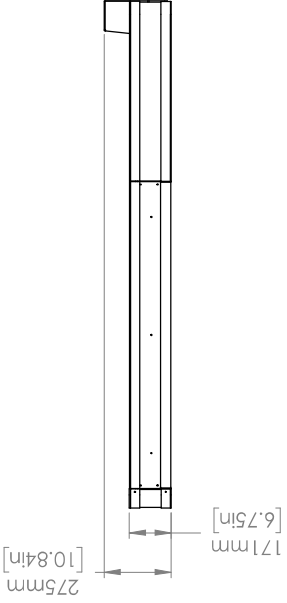
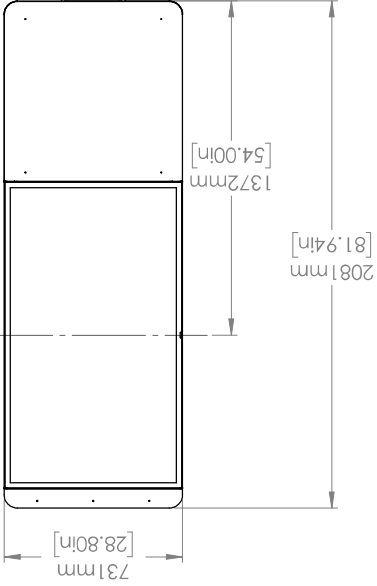
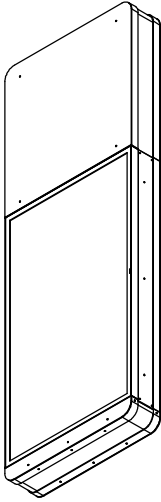
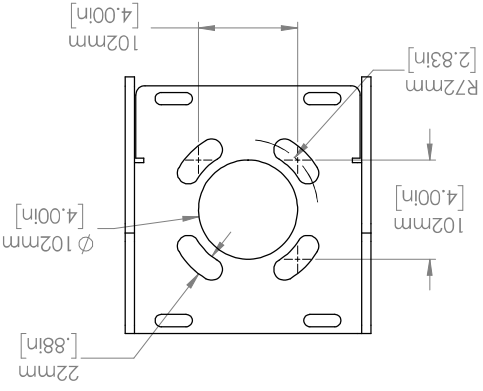
1. INTERNAL FRAME MATERIALS: STEEL, POWDER COATED PANTONE PMS #425 (MATTE GREY)
2. EXTERNAL COVERS: ALUMINUM, POWDER COATED RA19005 (MATTE BLACK)
3. EXTERNAL PERIMETER TRIM: ALUMINUM, POWDER COATED PANTONE PMS #425 (MATTE GREY)
4. DIGITAL DISPLAY EQUIPMENT: SAMSUNG OUTDOOR DISPLAY MODEL OHF/OHV

POWER & DATA REQUIREMENTS

1. POWER SUPPLY: 120V SINGLE PHRASE 60 HZ 20A
2. DATA FEED: CAT6 SHIELDED CABLES WITH RJ45 TERMINATION



FOUNDATION CONNECTION PLATE DETAIL A
SCALE 1:5



THIRD ANGLE PROJECTION		UNLESS OTHERWISE SPECIFIED, TOLERANCES APPLY AS SHOWN BELOW	
DECIMAL PLACES	INCHES	METRIC	MILLIMETERS
XXX	.XXX	XXXX	XXXX
XX	.XX	XX	XX
X	.X	X	X
ANGULAR DIMENSIONS	MINUS	MINUS	MINUS
XXX	XXX	XXX	XXX
XX	XX	XX	XX
X	X	X	X
FINISH	NO FINISH AT THIS LEVEL	SEE COMPONENT DRAWINGS	
CUSTOMER	MELLTRON	MELLTRON	
PART DESCRIPTION OUTDOOR DIGITAL MENU BOARD, 55 SINGLE DISPLAY			
DWG NO. MC-710155-01-P			
SCALE NTS			
SHEET 1 OF 3			

PROPRIETARY AND CONFIDENTIAL
This information contained in the drawings is the sole property of Melltron Corporation, Any reproduction in part or in whole without the written permission of Melltron Corporation is prohibited.

Melltron
Melltron Products
for Technology

404 Sheppard Parkway North
Group, ON, Canada M1H 1E8
www.melltron.com

404 Sheppard Parkway North
Group, ON, Canada M1H 1E8
www.melltron.com

404 Sheppard Parkway North
Group, ON, Canada M1H 1E8
www.melltron.com

A B C D

1 2 3 4 5 6 7 8

1 2 3 4 5 6 7 8

THIRD ANGLE PROJECTION

UNLESS OTHERWISE SPECIFIED, TOLERANCES APPLY AS SHOWN BELOW

DECIMAL PLACES: INCHES METRIC

XXXX .0005 .0010 .0025 .0050 .0100 .0200 .0500 .1000

XXXX .005 .010 .020 .050 .100 .200 .500 1.000

ANGULAR DIMENSIONS: XX .5 .10 .20 .50 .100 .200 .500 1.000

XXXX .05 .1 .2 .5 1.0

FINISH: NO FINISH AT THIS LEVEL

SEE COMPONENT DRAWINGS

MATERIAL: NEXT ASSEMBLY

CUSTOMER: MELLTRON

UNIT OF MEASURE: INCHES MILLIMETRES

PROPRIETARY AND CONFIDENTIAL

This information contained in the drawing is the sole property of Melltron Corporation. Any reproduction in part or in whole without the written permission of Melltron Corporation is prohibited.

DATE: 12/12/18

PROJECT: 100061459

DESIGNER: D.D. FROST

PROVINCE OF ONTARIO

SCALE: NTS

SHEET 2 OF 3

Rev: 02

404 SARGENT PARWAY NORTH GUELPH, ON, CANADA N1E 7E8

www.melltron.com

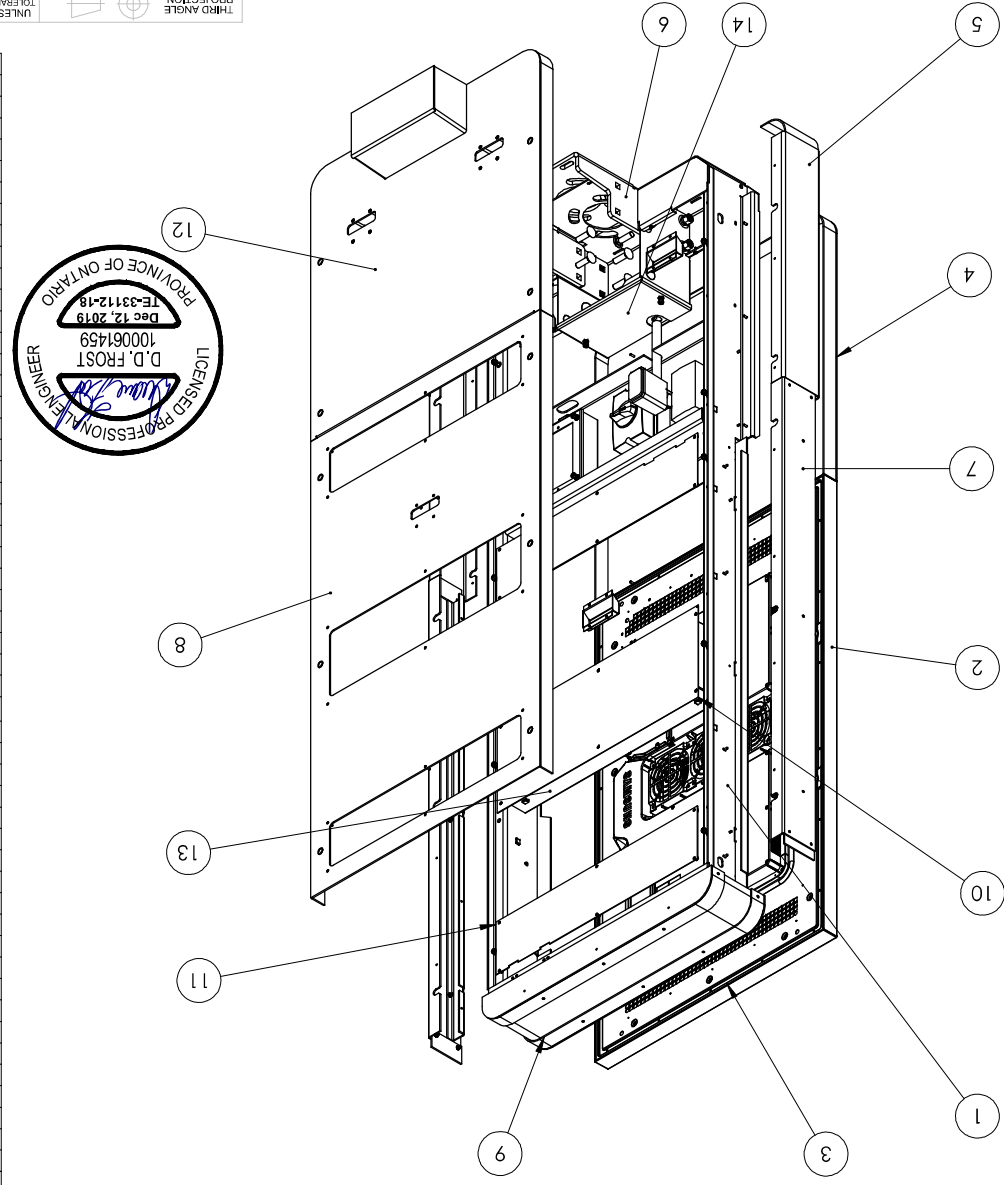
Melltron Products for Technology

OUTDOOR DIGITAL MENU BOARD, 55 SINGLE DISPLAY

MC-710155-01-P

PART DESCRIPTION

ITEM NO.	PART NUMBER	DESCRIPTION	QTY.
1	M06025259	FRAME-55-WDMT	1
2	E0510267	LED DISPLAY, SAMSUNG SMART SIGNAGE - 55	1
3	M0511698	GASKET, MONITOR - 55	1
4	MCA-M06025267	COVER, 55 SINGLE, FRONT, BOTTOM ASSEMBLY	1
5	M06025077	COVER-TRM, SIDE, LOWER	2
6	M06025093	MOUNTING-SINGLE-PLATE	2
7	M06025078	COVER-55-SIDE, MID, TRIM	1
8	MCA-M06025276	COVER, 55, REAR, MID ASSEMBLY	1
9	MCA-M06025277	COVER, 55 SINGLE, TOP CAP ASSEMBLY	1
10	M06025107	COVER-55-REAR, MESH	1
11	M06025282	COVER-55-REAR, MESH, EXHAUST	2
12	MCA-M06025272	COVER, 55 SINGLE, REAR, BOTTOM ASSEMBLY	1
13	M06025266	INTAKE-55	1
14	M06025116	MOUNTING-SINGLE-TOP, COMPARTMENT	1
15	M06025113	PATCH PANEL LID	1
16	M06025089	PATCH PANEL ENCLOSURE	1
17	E0510070	GLAND, SPLIT - CABLE ENTRY 32MM(GREY)	1
18	E0510257	GROMMET SPLIT -CABLE ENTRY 7MM X 1 PORT (GREY)	1
19	E0510342	SURGE ARRESTOR, ETHERNET, 48V, RJ45B TYPE 2	1
20	E0510003	DIN RAIL, SLOTTED, STEEL/ZINC-35MMX7.5MMX2MM	1
21	E0510245	CABLE, SHIELDED CAT6A, W/METAL CONNECTORS, 5FT, BLUE	0.41FT
22	M0511645	RECEPTACLE BOX, PVC, 1G, DEEP, GREY	1
23	M0511646	UTILITY COVER, JUNCTION BOX, 1G, WEATHERPROOF	1
24	M0511640	RECEPTACLE, DECORATOR, GFCI, 20A SELF TEST, GREY	1
25	M0511650	JUNCTION BOX, 4"x4"x2", PVC, WEATHERPROOF	1
26	M0511671	SURGE ARRESTOR, 120/240V, 50KA, NEMA 4X, SIDE MOUNT	1
27	M0511648	1/2" LIQUID-TITE CONDUIT STRAIGHT CONNECTOR	4
28	M0511638	DISCONNECT SWITCH, 120V, 30A, NEMA4X	1
29	M0511647	1/2" LIQUID-TITE CONDUIT	0.8FT
30	M0511805	CONNECTOR-1/2" LIQUID-TITE PULL ELBOW W/GASKET F-F	1
31	M0511804	NUT, CONDUIT LOCKNUTS, STEEL -1/2 ZINC	1
32	M0511803	NUT, SEALING LOCKNUTS, STEEL, PVC GASKET-1/2 ZINC	2
33	M0511802	FITTING, CONDUIT, NIPPLE, 1/2 X 1 1/2 MALE NPT ZN	1
34	E0510317	NUT, STRAIN RELIEF, 3/8, WEATHERPROOF, BLACK	1
35	M06025204	WIRE HARNESS KIT, ODMB-SINGLE	1
36	E0510268	LEVER-NUT, 2 WIRE LEVER, 221-412, 24-12 AWG WIRES	2
37	E0510269	LEVER-NUT, 3 WIRE LEVER, 221-413, 24-12 AWG WIRES	1
38	M0511679	SCREW, M6 - 1 X 35MM MACH BTN TX-TAMPER HP BLK OX	10
39	M0511672	WASHER, M6, FLAT BLK NYL	10
40	M0511682	WASHER, M5 RETAINING, WHIT, NYL	10
41	M0511334	NUT, 1/3-13, HEX, HDG	8
42	M0511333	BOLT, CARTRIDGE, 1/2-13X1.5", HDG (GRADE 2)	8
43	M0511335	WASHER, FLAT, 1/2, HDG	8
44	M051151	WASHER, SPURT LOCK, 1/2, HDG	8
45	M0511336	NUT, M4 X 0.7 EXT TOOTH LOCKNUT (KEF) ZN	47
46	M0511687	NUT, WING, M4	6
47	M0511681	GROMMET, FLEXIBLE ID, 1"OD, BLACK, 1.5MM DUST RESISTANT	1
48	M06025354	COVER, REAR, HANDLE	3
49	M0511672	WASHER M6 FLAT BLK NYL	10
50	M0511679	SCREW M6 - 1 X 35 MM MACH BTN TX-TAMPER HP BLK OX	10
51	M0511682	WASHER M5 RETAINING, OFF-WHITE, NYLON	10



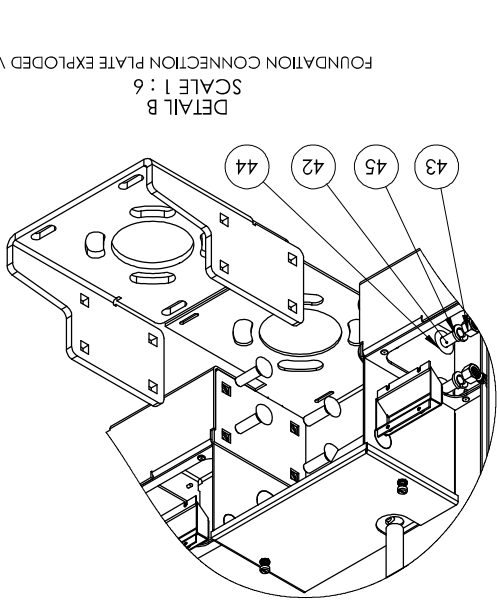
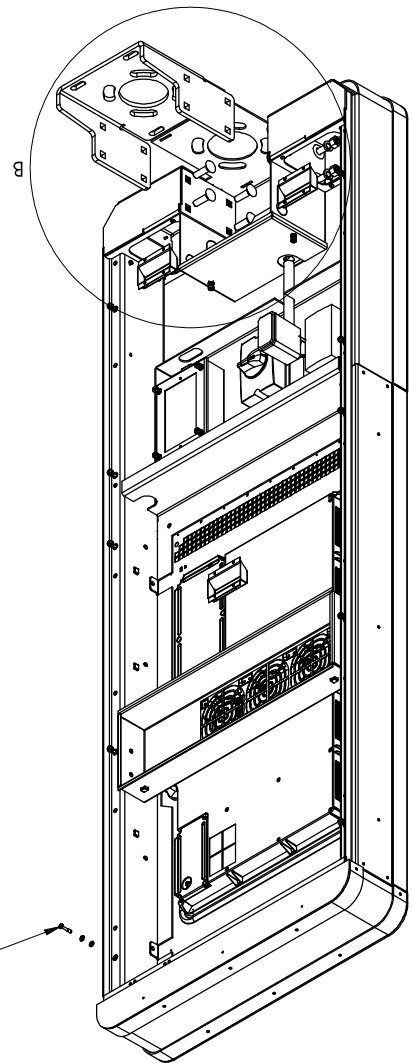
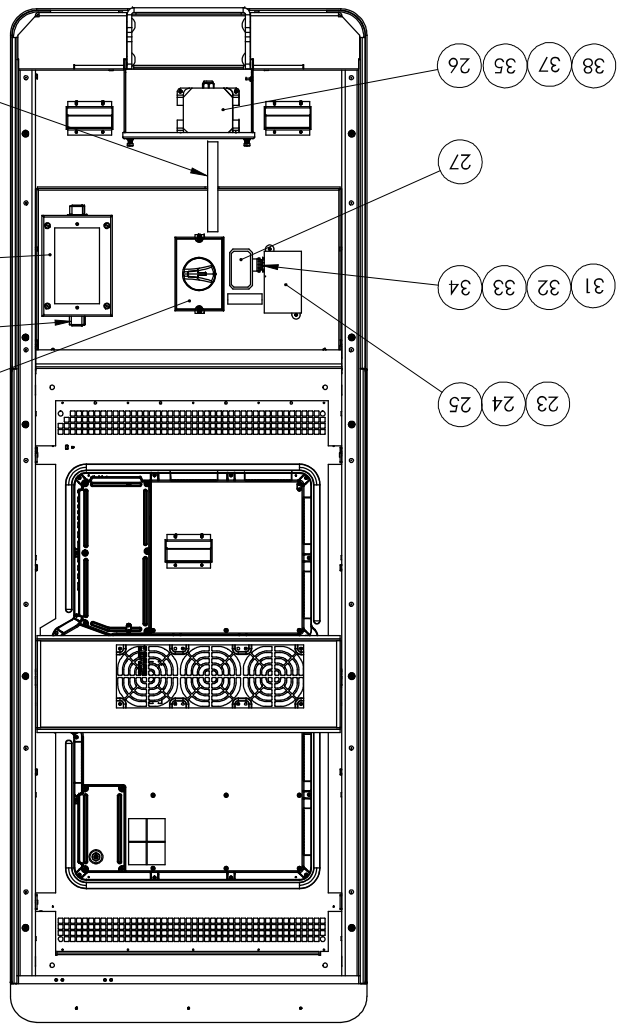


THIRD ANGLE PROJECTION
 UNLESS OTHERWISE SPECIFIED, TOLERANCES APPLY AS SHOWN BELOW
 DECIMAL PLACES INCHES METRIC
 .005 .010 .025 .050 .100 .150 .200 .250 .300 .350 .400 .450 .500 .550 .600 .650 .700 .750 .800 .850 .900 .950 1.000
 .125 .250 .375 .500 .625 .750 .875 1.000 1.125 1.250 1.375 1.500 1.625 1.750 1.875 2.000 2.125 2.250 2.375 2.500 2.625 2.750 2.875 3.000
 .005 .010 .025 .050 .100 .150 .200 .250 .300 .350 .400 .450 .500 .550 .600 .650 .700 .750 .800 .850 .900 .950 1.000
 .125 .250 .375 .500 .625 .750 .875 1.000 1.125 1.250 1.375 1.500 1.625 1.750 1.875 2.000 2.125 2.250 2.375 2.500 2.625 2.750 2.875 3.000

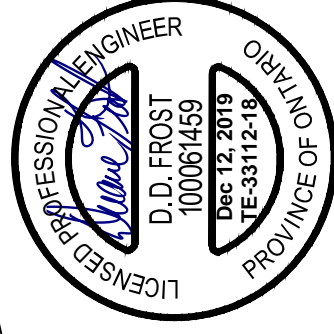
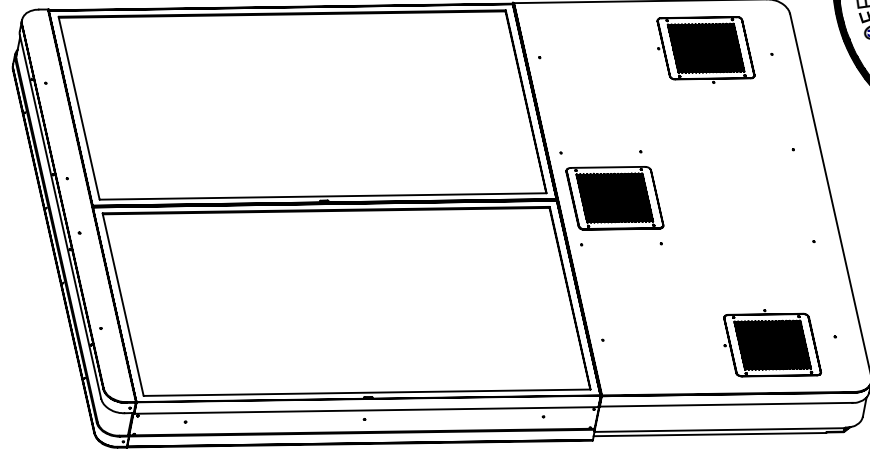
PROPRIETARY AND CONFIDENTIAL
 This information contained in this drawing is the sole property of Meltron Corporation. Any reproduction in part or in whole without the written permission of Meltron Corporation is prohibited.
 CUSTOMER MELTRON
 UNIT OF MEASURE INCHES MILLIMETERS

404 Silvercreek Parkway North
 Guelph, ON, Canada N1H 1E8
 www.meltron.com
 MPT Technology
 Meltron Products
 for Technology

PART DESCRIPTION OUTDOOR DIGITAL MENU BOARD, 55 SINGLE DISPLAY
 DWG NO. MC-710155-01-P
 Rev. 02
 SCALE NTS SHEET 3 OF 3

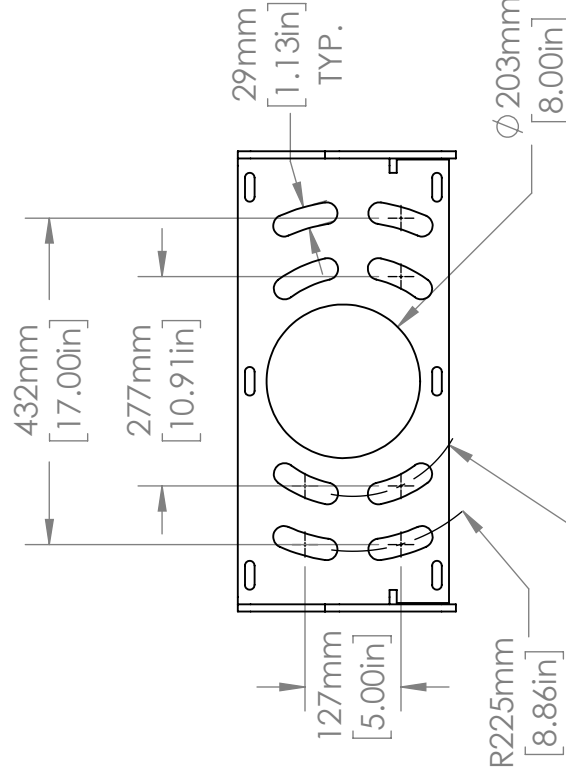
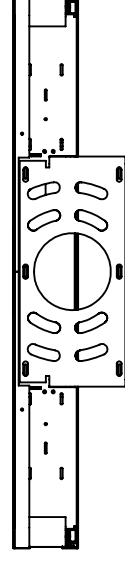
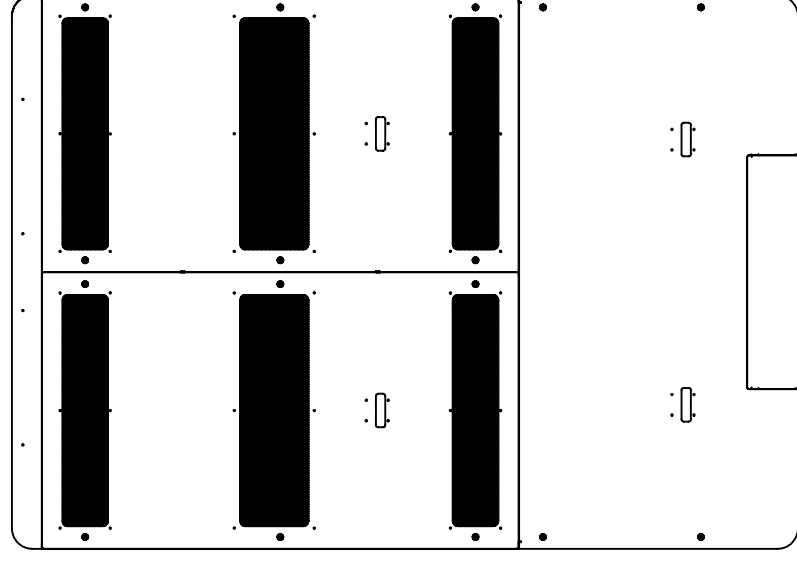
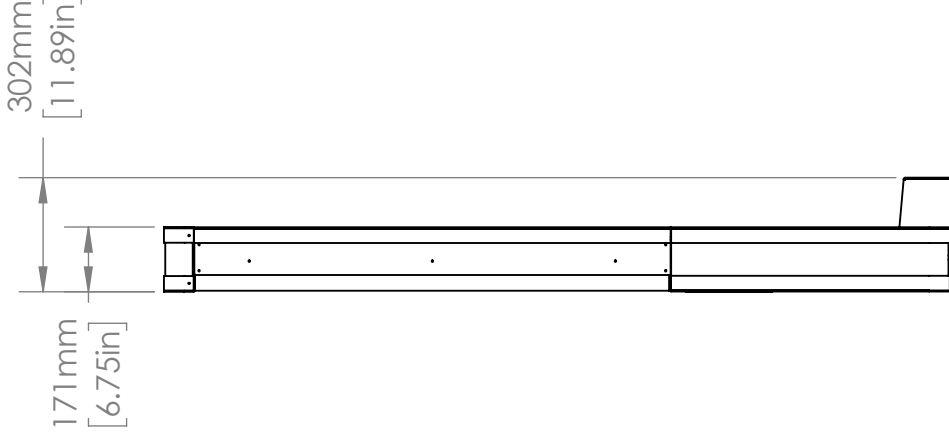
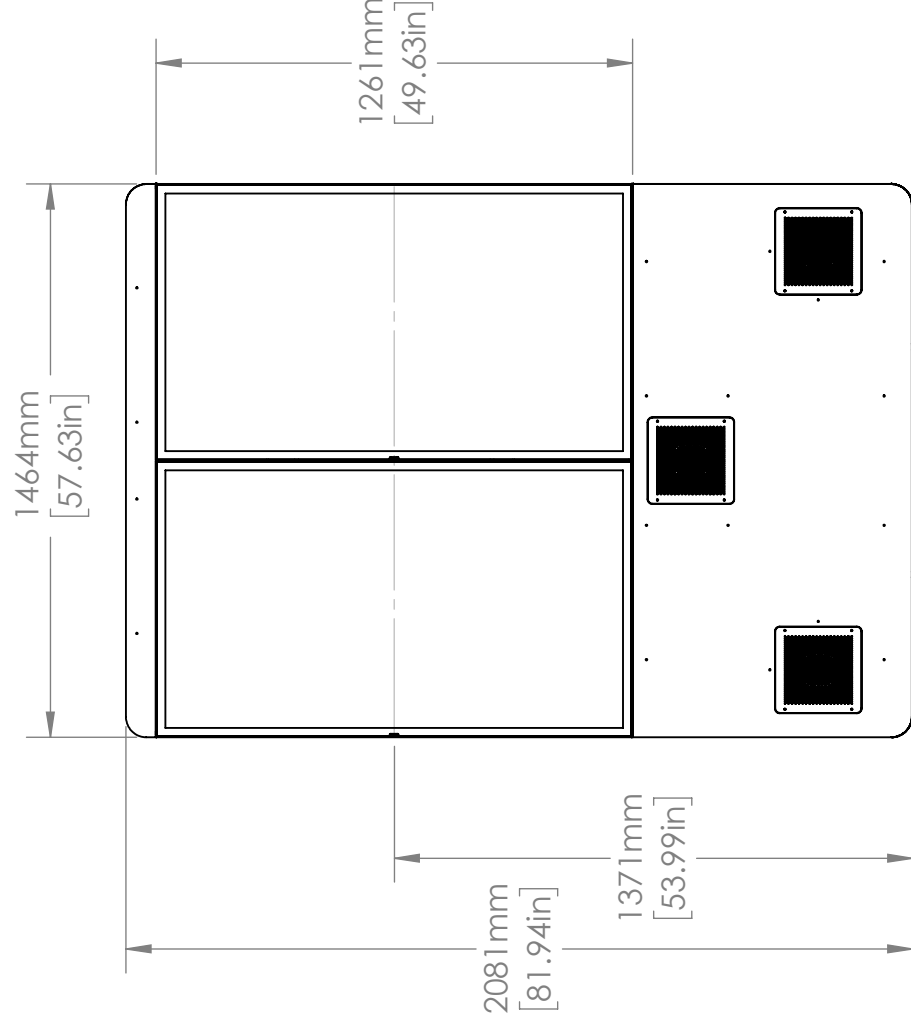


DETAIL B
 SCALE 1 : 6
 FOUNDATION CONNECTION PLATE EXPLODED VIEW



NOTES

- STRUCTURAL DESIGN SCOPE INCLUDES METAL FRAME, FOUNDATION CONNECTION PLATE, AND ENCLOSURE ONLY - ANCHORAGE IS RESPONSIBILITY OF OTHERS.
- FRAME HAS BEEN DESIGNED FOR THE FOLLOWING PARAMETERS IN ACCORDANCE WITH FIGURE I-24 IN THE STRUCTURAL COMMENTARY:
 $C_f = 1.1$
 $C_n = 1.0$
 $C_g = 2.0$
 $C_e = 0.9$
- MENU BOARD STRUCTURE HAS BEEN QUALIFIED FOR INSTALLATION IN ALL ONTARIO LOCATIONS WITH Q(1/50) LESS THAN OR EQUAL TO 0.78KPA AS INDICATED IN THE CLIMATIC DATA IN OBC 2012.



FOUNDATION CONNECTION
 PLATE DETAIL A
 SCALE 1:5

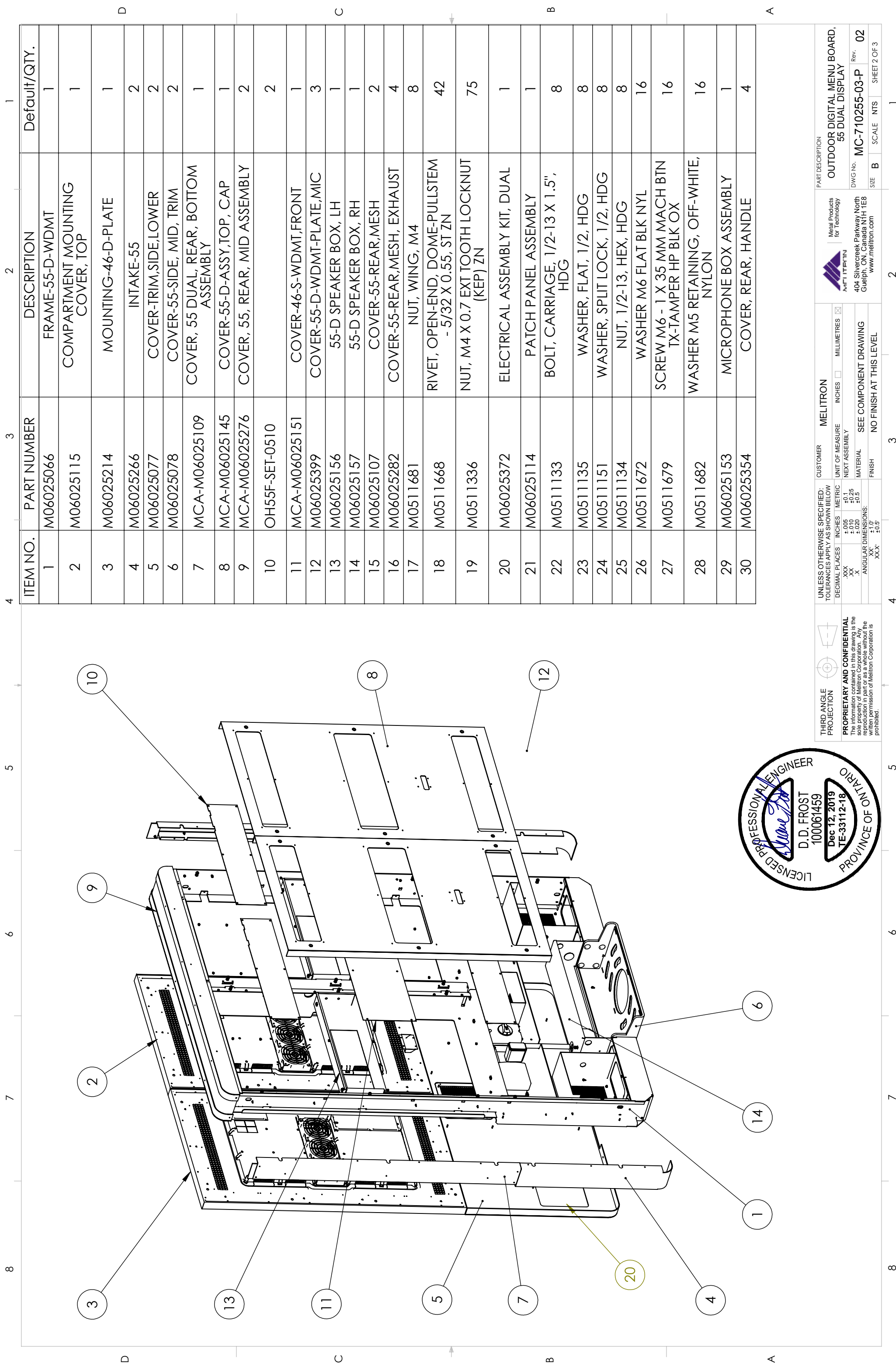
MATERIAL SPECIFICATIONS

- INTERNAL FRAME MATERIALS: STEEL, POWDER COATED PANTONE PMS 425 (MATTE GREY)
- EXTERNAL COVERS: ALUMINUM, POWDER COATED RAL9005 (MATTE BLACK)
- EXTERNAL PERIMETER TRIM: ALUMINUM, POWDER COATED PANTONE PMS 425 (MATTE GREY)
- DIGITAL DISPLAY EQUIPMENT: SAMSUNG OUTDOOR DISPLAY MODEL OHF/OHV

POWER & DATA REQUIREMENTS

- POWER SUPPLY: 120V SINGLE PHASE 60 HZ 20A
- DATA FEED: 2X CAT6 SHIELDED CABLES WITH RJ45 TERMINATION

	THIRD ANGLE PROJECTION PROPRIETARY AND CONFIDENTIAL The information contained in this drawing is the sole property of Melitron Corporation. Any reproduction in part or as a whole without the prior permission of Melitron Corporation is prohibited.	UNLESS OTHERWISE SPECIFIED: TOLERANCES APPLY AS SHOWN BELOW DECIMAL PLACES INCHES METRIC .XXX ±0.1 .XX ±0.10 ±0.25 .X ±0.20 ±0.5 ANGULAR DIMENSIONS: XX' ±1.0' XXX' ±0.5'	CUSTOMER MELITRON UNIT OF MEASURE INCHES MILLIMETRES <input checked="" type="checkbox"/>	PART DESCRIPTION OUTDOOR DIGITAL MENU BOARD, 55 DUAL DISPLAY
	MATERIAL SEE COMPONENT DRAWING FINISH NO FINISH AT THIS LEVEL	DWG No. MC-710255-03-P Rev. 02 404 Silvercreek Parkway North Guelph, ON, Canada N1H 1E8 www.melitron.com	SIZE B SCALE NTS SHEET 1 OF 3	Metal Products for Technology



ITEM NO.	PART NUMBER	DESCRIPTION	Default/QTY.
1	M06025066	FRAME-55-D-WDMT	1
2	M06025115	COMPARTMENT MOUNTING COVER, TOP	1
3	M06025214	MOUNTING-46-D-PLATE	1
4	M06025266	INTAKE-55	2
5	M06025077	COVER-TRIM,SIDE,LOWER	2
6	M06025078	COVER-55-SIDE, MID, TRIM	2
7	MCA-M06025109	COVER, 55 DUAL, REAR, BOTTOM ASSEMBLY	1
8	MCA-M06025145	COVER-55-D-ASSY, TOP, CAP	1
9	MCA-M06025276	COVER, 55, REAR, MID ASSEMBLY	2
10	OH55F-SET-0510		2
11	MCA-M06025151	COVER-46-S-WDMT, FRONT	1
12	M06025399	COVER-55-D-WDMT-PLATE, MIC	3
13	M06025156	55-D SPEAKER BOX, LH	1
14	M06025157	55-D SPEAKER BOX, RH	1
15	M06025107	COVER-55-REAR, MESH	2
16	M06025282	COVER-55-REAR, MESH, EXHAUST	4
17	M0511681	NUT, WING, M4	8
18	M0511668	RIVET, OPEN-END, DOME-PULLSTEM - 5/32 X 0.55, ST ZN	42
19	M0511336	NUT, M4 X 0.7 EXT TOOTH LOCKNUT (KEP) ZN	75
20	M06025372	ELECTRICAL ASSEMBLY KIT, DUAL	1
21	M06025114	PATCH PANEL ASSEMBLY	1
22	M0511133	BOLT, CARRIAGE, 1/2-13 X 1.5", HDG	8
23	M0511135	WASHER, FLAT, 1/2, HDG	8
24	M0511151	WASHER, SPLIT LOCK, 1/2, HDG	8
25	M0511134	NUT, 1/2-13, HEX, HDG	8
26	M0511672	WASHER M6 FLAT BLK NYL	16
27	M0511679	SCREW M6 - 1 X 35 MM MACH BTN TX-TAMPER HP BLK OX	16
28	M0511682	WASHER M5 RETAINING, OFF-WHITE, NYLON	16
29	M06025153	MICROPHONE BOX ASSEMBLY	1
30	M06025354	COVER, REAR, HANDLE	4

THIRD ANGLE PROJECTION

PROPRIETARY AND CONFIDENTIAL
The information contained in this drawing is the sole property of Melitron Corporation. Any reproduction in part or as a whole without the express permission of Melitron Corporation is prohibited.

UNLESS OTHERWISE SPECIFIED:
TOLERANCES APPLY AS SHOWN BELOW

DECIMAL PLACES	INCHES	METRIC
.XXX	±.005	±0.1
.XX	±.010	±0.25
.X	±.020	±0.5

ANGULAR DIMENSIONS:
XX° ±1.0°
XXX° ±0.5°

CUSTOMER: MELITRON

UNIT OF MEASURE: MILLIMETRES INCHES

NEXT ASSEMBLY: SEE COMPONENT DRAWING

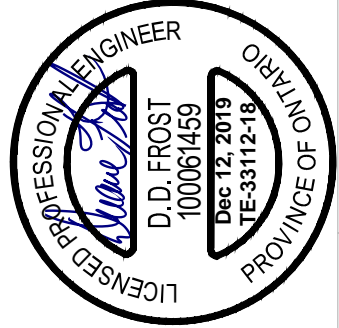
MATERIAL: NO FINISH AT THIS LEVEL

FINISH: NO FINISH AT THIS LEVEL

PART DESCRIPTION: OUTDOOR DIGITAL MENU BOARD, 55 DUAL DISPLAY

DWG No. MC-710255-03-P Rev. 02

SIZE: B SCALE: NTS SHEET 2 OF 3



Metal Products for Technology
MELITRON
404 Silvercreek Parkway North
Guelph, ON, Canada N1H 1E8
www.melitron.com

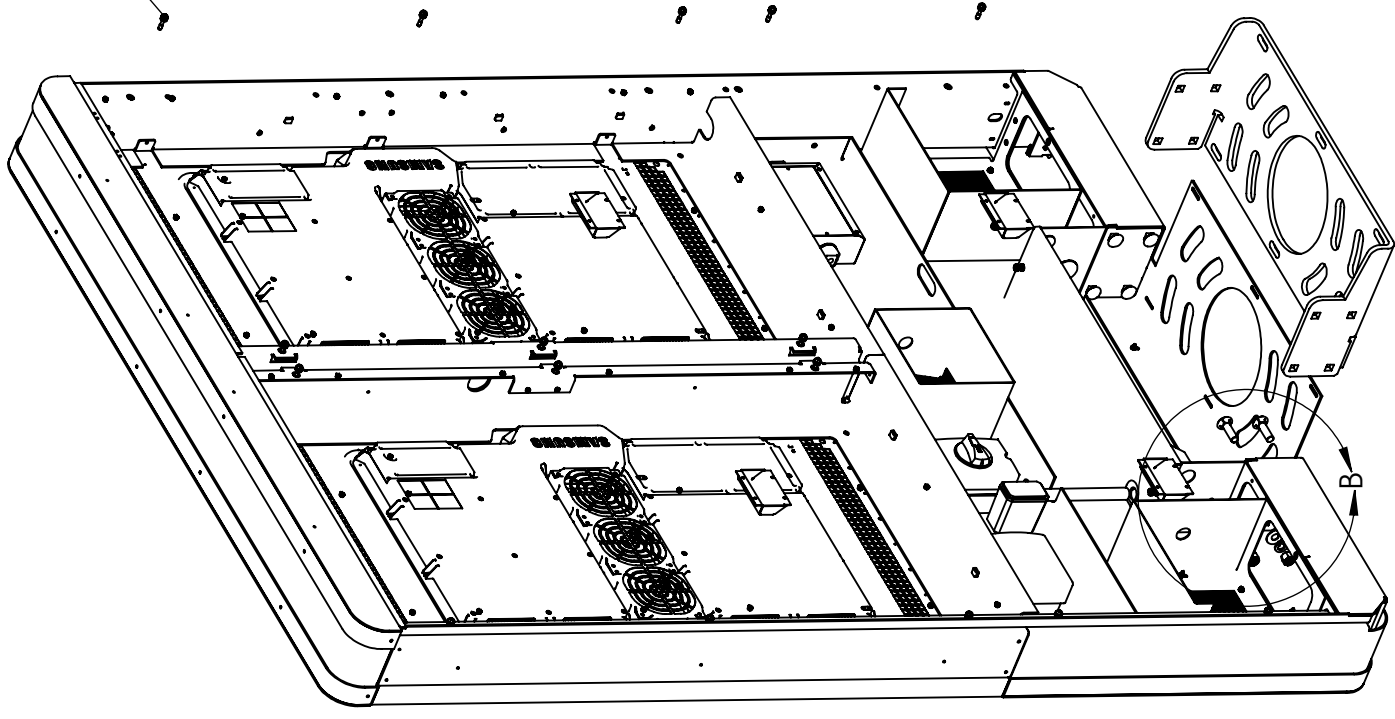
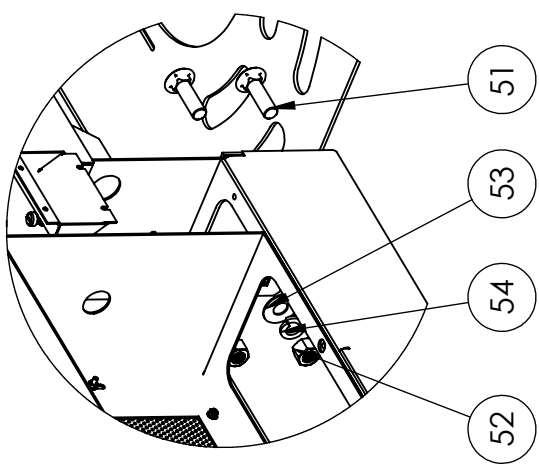
D

C

B

A

48 49 50

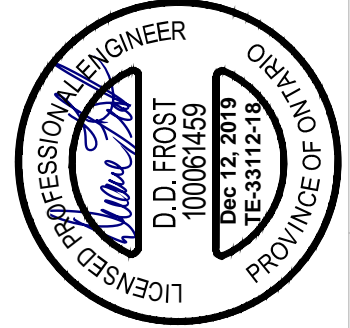
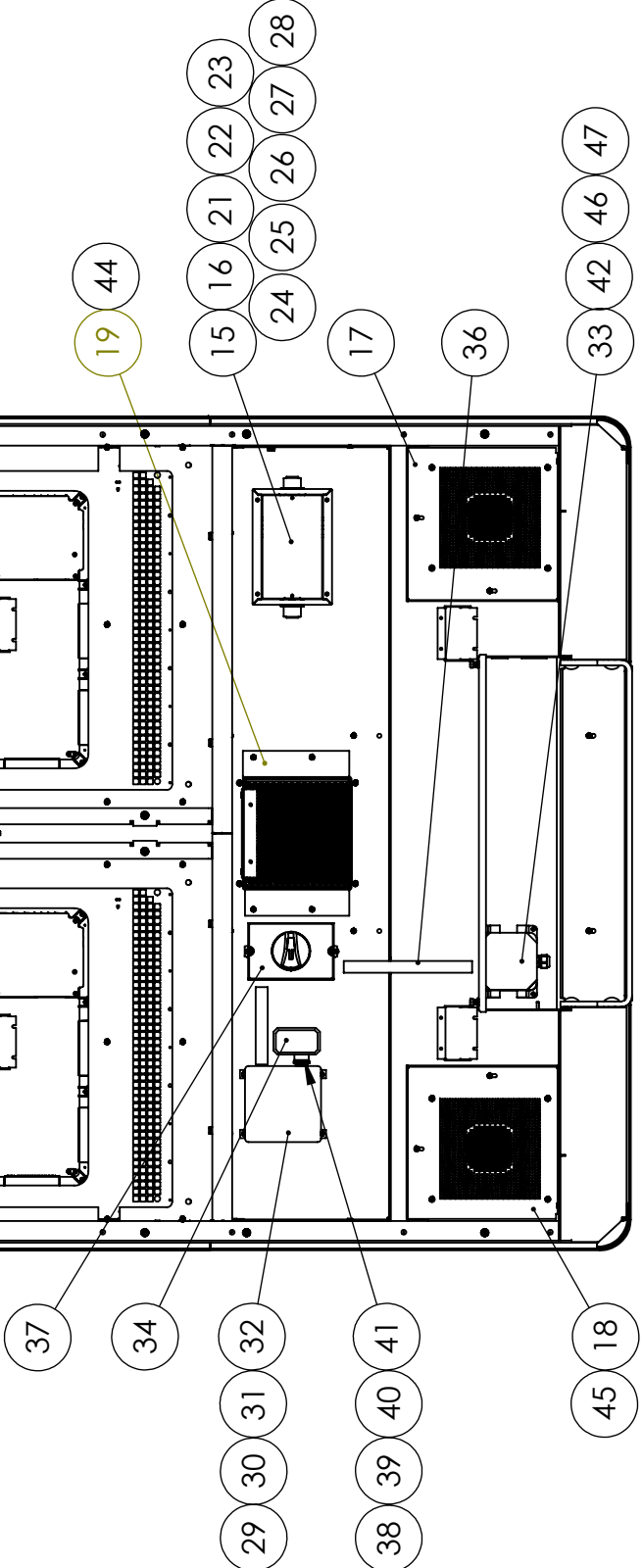


D

C

B

A



DETAIL B
SCALE 2:13

FOUNDATION CONNECTION PLATE EXPLODED VIEW

PART DESCRIPTION OUTDOOR DIGITAL MENU BOARD, 55 DUAL DISPLAY	Metal Products for Technology 404 Silvercreek Parkway North Guelph, ON, Canada N1H 7E8 www.melitron.com	DWG No. MC-710255-03-P Rev. 02	SIZE B	SCALE NTS	SHEET 3 OF 3
			CUSTOMER MELITRON	UNIT OF MEASURE <input checked="" type="checkbox"/> MILLIMETRES <input type="checkbox"/> INCHES	MATERIAL SEE COMPONENT DRAWING
UNLESS OTHERWISE SPECIFIED: TOLERANCES APPLY AS SHOWN BELOW		DECIMAL PLACES	INCHES	METRIC	MILLIMETRES
.XXX XX X	±.005 ±.010 ±.020	.1 .25 .5	<input checked="" type="checkbox"/> NEXT ASSEMBLY	SEE COMPONENT DRAWING	NO FINISH AT THIS LEVEL
ANGULAR DIMENSIONS:		XX XX	±.0° XX°		

THIRD ANGLE PROJECTION

PROPRIETARY AND CONFIDENTIAL
The information contained in this drawing is the sole property of Melitron Corporation. Any reproduction in part or as a whole without the written permission of Melitron Corporation is prohibited.

1 2 3 4 5 6 7 8

1 2 3 4 5 6 7 8

JRD-20016N

NON-ILLUMINATED
VEHICLE HEIGHT DETECTOR (ENGLISH)

Installation: Interior: Exterior:
Volts: N/A Amp.: N/A Circ.: N/A

- Descriptions:
- FABRICATED ALUMINUM SHEET AND TUBING STRUCTURE
 - CUT OUT ALUMINUM LETTERS
 - METAL PIPE WITH VINYL APPLICATION AND SUSPENSION CHAINS
 - FABRICATED ALUMINUM BASE COVER

#	Colors:
D	PAINTED WHITE OPAQUE
E	PAINTED GREY TO MATCH PMS 425
F	PAINTED RED D13 ALPOLIC MAT
G	WHITE OPAQUE VINYL 7725-20

2-LANE VHD			
PRODUCT CODE	A	B	SQFT
MCD1V8XX021	10'-8 1/2"	15'-4 1/4"	N/A

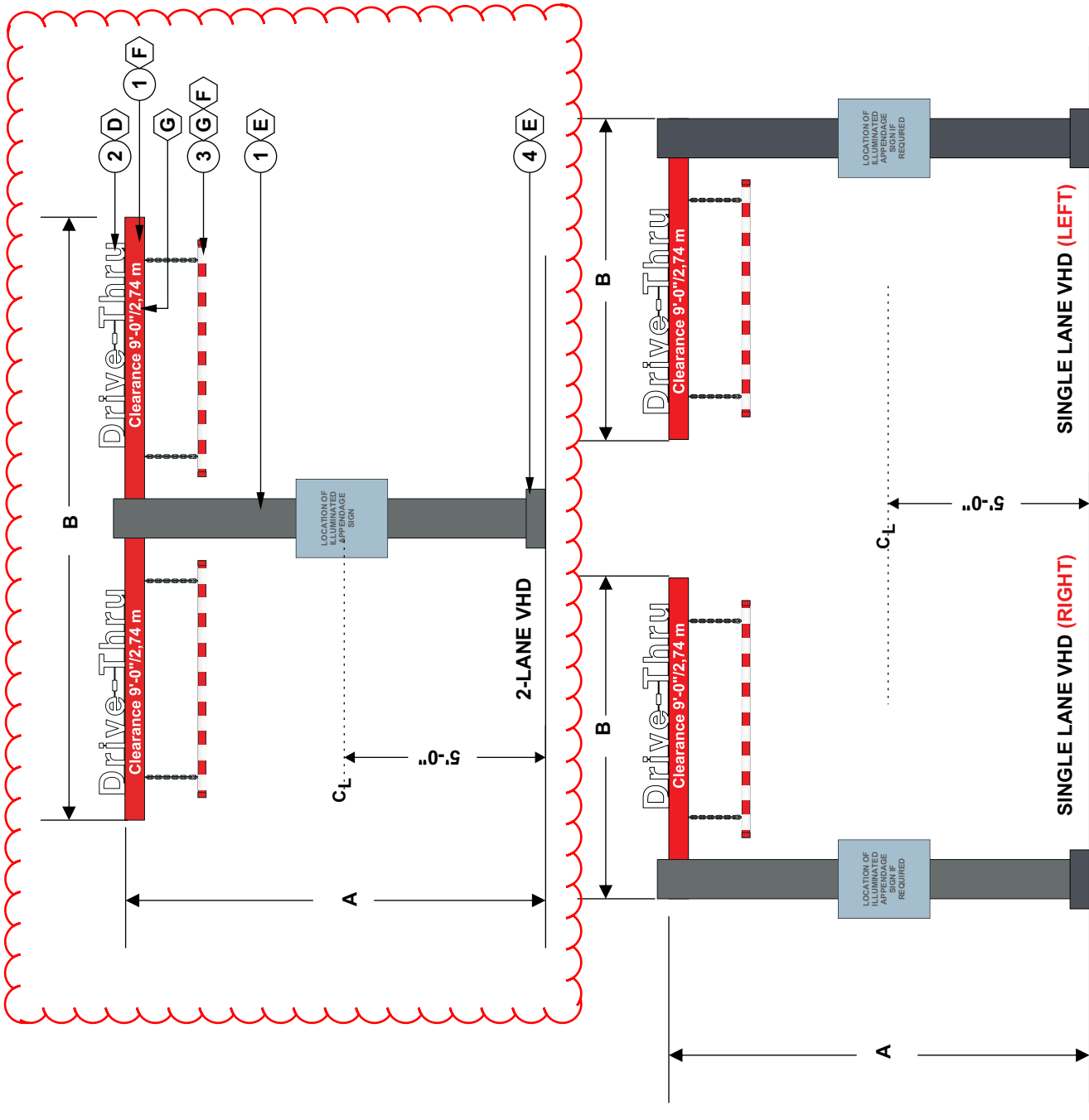
SINGLE LANE VHD (RIGHT SIDE)			
PRODUCT CODE	A	B	SQFT
MCD1V8XX022	10'-8 1/2"	8'-2"	N/A

SINGLE LANE VHD (LEFT SIDE)			
PRODUCT CODE	A	B	SQFT
MCD1V8XX023	10'-8 1/2"	8'-2"	N/A



Tel (506) 735-5506 Fax (877) 737-1734 Toll Free 1-800-561-9798

Client:	MC DONALD'S
Site:	VARIOUS, TORONTO
Consultant:	JAYNE REID
Draftsman:	CLAUDIA VOGT
Page:	1/1
Date:	05.05.2011
Scale:	N.T.S.



This sign is intended to be installed in accordance with the requirements of Article 16.1 of the Ontario Traffic Act and all applicable local, provincial, state, or Federal laws.

Pattison Sign Group illuminated signs contain Fluorescent, Neon and/or HID Lamps. These lamps contain Mercury (Hg). Dispose of these lamps in accordance with local, provincial, state, or Federal laws.

THIS SIGN INCLUDES THE MAIN MATERIALS AND INSTALLATION OF A BASED BY PATTISON SIGN GROUP FOR THE SIGN ORDERED BY THE CUSTOMER. THE CUSTOMER IS RESPONSIBLE FOR THE SIGNAGE DESIGN, COLOR, AND FINISH. THE CUSTOMER SHALL ENSURE THAT THE SIGN IS PROPERLY MAINTAINED AND OPERATED. PATTISON SIGN GROUP IS NOT RESPONSIBLE FOR THE SIGNAGE DESIGN, COLOR, AND FINISH. THE CUSTOMER SHALL ENSURE THAT THE SIGN IS PROPERLY MAINTAINED AND OPERATED. PATTISON SIGN GROUP IS NOT RESPONSIBLE FOR THE SIGNAGE DESIGN, COLOR, AND FINISH. THE CUSTOMER SHALL ENSURE THAT THE SIGN IS PROPERLY MAINTAINED AND OPERATED.

ISO 9001:2008 Certified Enterprise

www.pattison.com

JRD-20016N

ILLUMINATED VHD APPENDAGE SIGNS

Installation:	Interior:	<input checked="" type="checkbox"/>	Exterior:	<input type="checkbox"/>	
Volts:	120	Amp.:	0.25	Circ.:	1
#	Descriptions:				
1	PRE-PAINTED BLACK/WHITE FABRICATED SIGN BOX				
2	WHITE ACRYLIC WITH VINYL APPLICATION ON FIRST SURFACE AND BLACK GEM-TRIM RETAINER				
*	ILLUMINATED WITH WHITE LED				

#	Colors:			
D	YELLOW VINYL	#630-015		
E	BLACK VINYL	#725-12		
F	DARK BLUE VINYL	#3630-137		

#1 ANY LANE ANY TIME/24 H (ENGLISH)				
PRODUCT CODE	A	B	SQFT	
MCD1S4D7018	2'-4"	2'-0"	4.66 FT ²	

#2 ANY LANE ANY TIME (ENGLISH)				
PRODUCT CODE	A	B	SQFT	
MCD1S4D7010	2'-4"	2'-0"	4.66 FT ²	

#3 OPEN 24H (ENGLISH)				
PRODUCT CODE	A	B	SQFT	
MCD1S4D7013	2'-4"	2'-0"	4.66 FT ²	

#3 ANY LANE ANY TIME (FRENCH)				
PRODUCT CODE	A	B	SQFT	
MCD1S4D7012	2'-4"	2'-0"	4.66 FT ²	

#4 ANY LANE ANY TIME/24 H (FRENCH)				
PRODUCT CODE	A	B	SQFT	
MCD1S4D7011	2'-4"	2'-0"	4.66 FT ²	

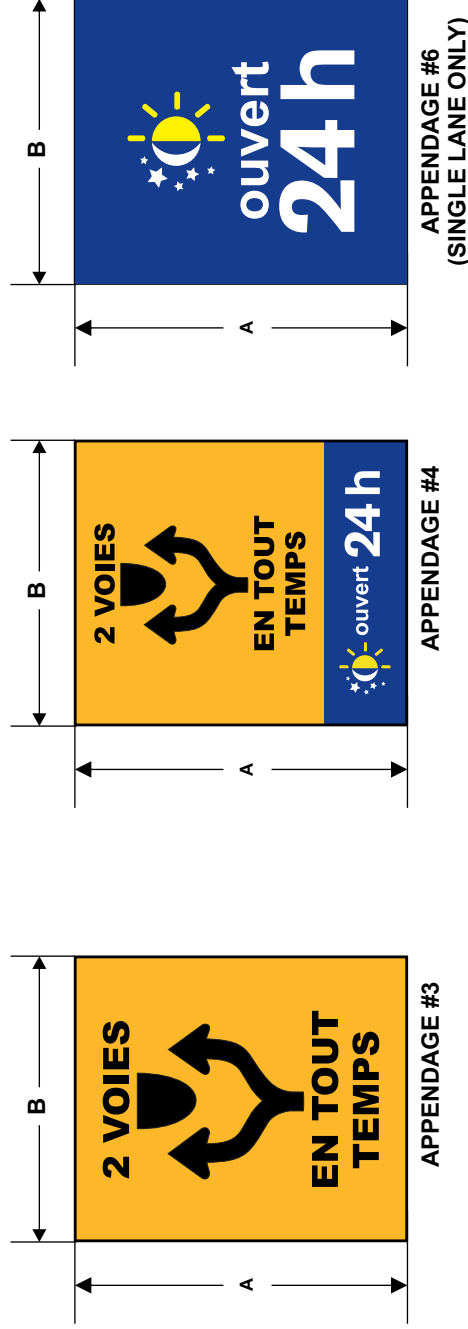
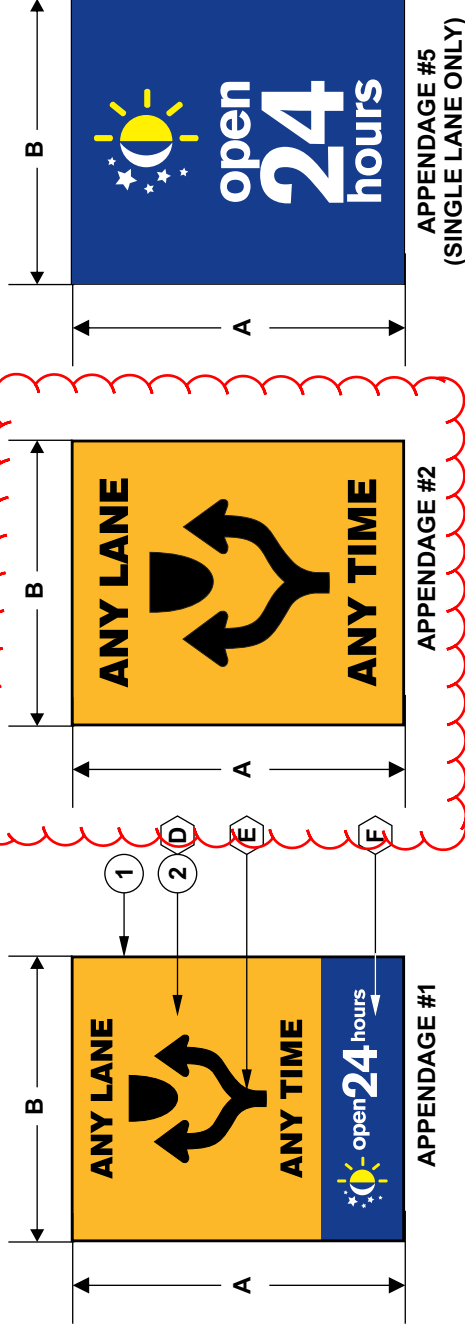
#6 24 H (FRENCH)				
PRODUCT CODE	A	B	SQFT	
MCD1S4D7014	2'-4"	2'-0"	4.66 FT ²	



Tel (506) 735-5506 • Fax (877) 737-1734 • Toll Free 1-800-561-9798

Client:	MC DONALD'S
Site:	VARIOUS, TORONTO
Consultant:	JAYNE REID
Draftsman:	CLAUDIA VOGT
Date:	05.05.2011
Page:	1/1
Scale:	N.T.S.

Panel on VHD



Date: / /
Customer Approval:

This sign is intended to be installed in accordance with the requirements of Article 10.02 of the Ontario Building Code. These signs contain Fluorescent, Neon and/or HID Lamps. These lamps contain Mercury (Hg). Dispose of these lamps in accordance with the applicable laws, bylaws or Federal Laws.

ENSEIGNES PATTISON INC. MANUFACTURING AND INSTALLATION OF A SIGN GROUP FOR THE SIGN GROUP. THESE SIGNS ARE NOT TO BE REPRODUCED OR COPIED IN ANY MANNER WITHOUT THE WRITTEN PERMISSION FROM ENSEIGNES PATTISON SIGN GROUP. THE CUSTOMER SHALL ENSURE THAT THE SIGN IS PROPERLY MAINTAINED AND OPERATED. THE CUSTOMER SHALL BE RESPONSIBLE FOR THE HANDLING AND DISPOSAL OF ANY AND ALL CLAIMS, LIABILITIES, ACTIONS, PENALTIES, FINES, AND ANY LEGAL FEES INCURRED BY PATTISON SIGN GROUP ARISING FROM THE FAILURE OF THE CUSTOMER (AND/OR AGENT) IN DOING SO.

ISO 9001:2008 Certified Enterprise

www.pattisonsign.com

JRD-20016N

ILLUMINATED DIRECTIONAL SIGNS (ENGLISH)

Installation:	Interior: <input type="checkbox"/>	Exterior: <input checked="" type="checkbox"/>	
Volts:	120	Amp.: 0.50	Circ.: 1
# Descriptions:			
1	ROUTED ALUMINUM PANEL BACKED WITH LEXAN		
2	3" X 3" TUBING		
3	BASE PLATE		
*	ILLUMINATED WITH WHITE LED		

#	Colors:
A	RED TO MATCH PMS 186
B	PAINTED OCTOLUX 15 STAINLESS STEEL BCCC, HIGH GLOSS CLEAR

PRODUCT CODE			SQFT
MCD1E9B7018	5'-0"	2'-0"	7.33 FT ²

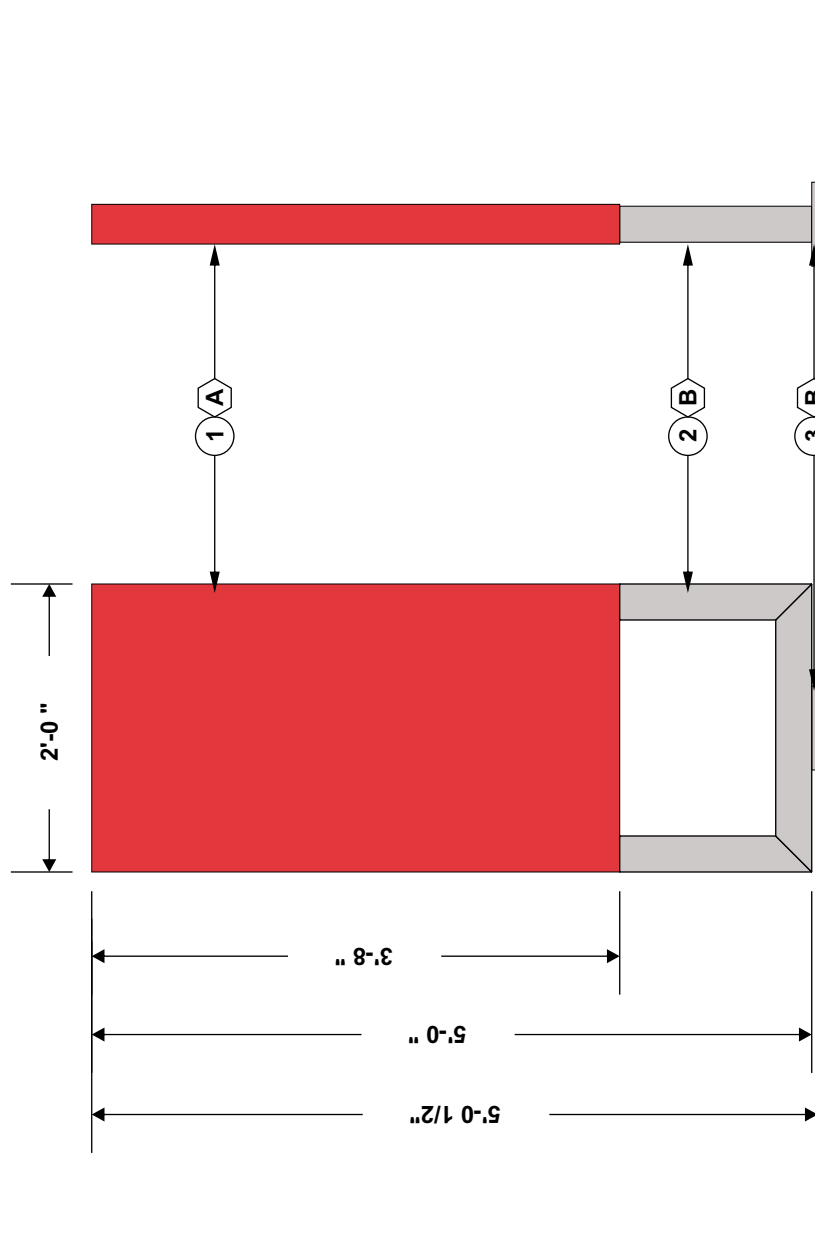
Notes:

- DIRECTIONAL SIGNS ARE TO BE APPLIED TO NEW BUILDS AND TO REPLACE ALL EXISTING DIRECTIONALS ON EXISTING SITES. A COMBINATION OF OLD AND NEW DIRECTIONAL STYLES IS NOT PERMITTED



•Tel (506) 735-5506 •Fax (877) 737-1734 •Toll Free 1-800-561-9798

Client:	MC DONALD'S
Site:	VARIOUS, TORONTO
Consultant:	JAYNE REID
Draftsman:	CLAUDIA VOGT
Page:	1/1
Date:	05.05.2011
Scale:	N.T.S.



see following page for sign face artwork

Date: / /
Customer Approval:

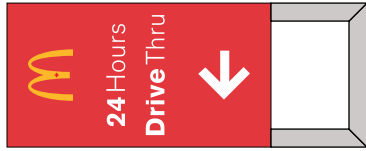
This sign is intended to be installed in accordance with the requirements of Article 62.0.1 of the National Electrical Code (NEC) or other applicable local codes. This includes proper grounding and bonding of the sign.

ENSEIGNES PATTISON SIGNS ARE MANUFACTURED AND INSTALLED BY ENSEIGNES PATTISON SIGN GROUP. THESE SIGNS ARE NOT TO BE REPRODUCED OR COPIED IN ANY MANNER WITHOUT THE WRITTEN PERMISSION OF ENSEIGNES PATTISON SIGN GROUP. THE CUSTOMER SHALL ENSURE THAT THE SIGN IS PROPERLY MAINTAINED AND OPERATED AT ALL TIMES. ENSEIGNES PATTISON SIGN GROUP SHALL NOT BE RESPONSIBLE FOR ANY DAMAGES OR INDEMNIFY IT AGAINST ANY AND ALL CLAIMS, LIABILITIES, ACTIONS, PENALTIES, FINES, AND ANY LEGAL FEES INCURRED BY PATRISON SIGN GROUP ARISING FROM THE FAILURE OF THE CUSTOMER (AND/OR ITS AGENT) IN DOING SO.

ISO 9001:2008 Certified Enterprise

www.pattisonsign.com

at drive thru entrance



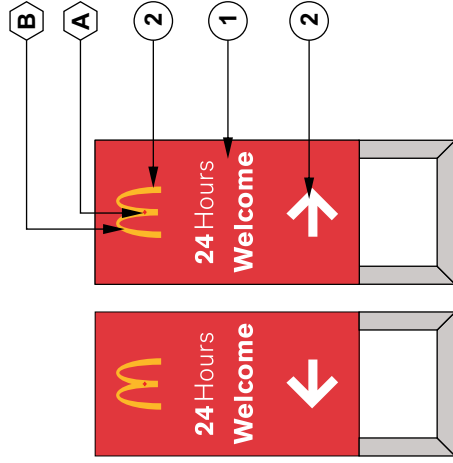
at site exit



at site entrance



at drive thru exit



JRD-20016N

FACES FOR ILLUMINATED DIRECTIONAL SIGNS (ENGLISH)

Installation:	Interior:	<input checked="" type="checkbox"/>	Exterior:		
Volts:	N/A	Amp:	N/A	Circ.:	N/A
1	ROUTED 1/8" ALUMINUM PANEL BACKED WITH LEXAN				
2	3/16" WHITE LEXAN WITH VINYL APPLIED ON FIRST SURFACE (ARCHES LOGO ONLY)				

#	Colors:
A	DARK RED VINYL #3630-73
B	YELLOW VINYL #3630-015

FACE/VARIOUS MESSAGES		
PRODUCT CODE		SQFT
MCD1XXBX005		6.83 FT ²



•Tel (506) 735-5506 •Fax (877) 737-1734 •Toll Free 1-800-561-9798

Client:	MC DONALD'S
Site:	VARIOUS, TORONTO
Consultant:	JAYNE REID
Draftsman:	CLAUDIA VOGT
Page:	1/1
Date:	05.05.2011
Scale:	N.T.S.

Date: / /
Customer Approval:

This sign is intended to be installed in accordance with the requirements of Article 10.1 of the Ontario Building Code. These lamps contain Mercury (Hg). Dispose of these lamps in accordance with local, provincial, state, or Federal laws.



THESE SIGNS NE PAS SONT DES ILLUMINÉS À BASE DE FLUORESCENCE. ILS CONTIENNENT DU MERCURE (Hg). Éliminez ces lampes conformément aux lois locales, provinciales, étatiques ou fédérales.

ISO 9001:2008 Certified Enterprise

www.pattisonsign.com

