

SITE LIGHTING PLAN  
SCALE: 1:300

**SITE LIGHTING NOTES:**

- ① PROVIDE AN ASTRONOMICAL TIMELOCK IN THE ATTENDANT BOOTH FOR LIGHTING CONTROL. REFER TO EXTERIOR LIGHTING CONTROL SCHEMATIC.
- ② POLE TO BE ALIGNED WITH EDGE OF PARKING LOT/DRIVE LANE.

**GENERAL NOTES:**

- **SITE LIGHTING:**
- THIS DRAWING INDICATES THE PROPOSED OUTDOOR LIGHTING FIXTURES FOR THIS DEVELOPMENT. THE PHOTOMETRIC DATA ILLUSTRATED INDICATES POINT-TO-POINT VALUES IN FOOT CANDLES (FC). THE PHOTOMETRIC DATA DOES NOT TAKE INTO ACCOUNT CONTRIBUTIONS FROM ANY STREET FIXTURES.
- THE PROPOSED LIGHTING DISTRIBUTION PATTERN WILL NOT CAUSE VEILING LUMINANCE (DISABILITY GLARE). THERE WILL BE NO ENCRoACHMENT OF LIGHT OR OBSTRUCTIONABLE GLARE UPON ANY ADJACENT RESIDENTIAL PROPERTY.
- THE VISIBILITY OF LIGHT SOURCES FROM ANY RESIDENTIAL SITE HAVE BEEN MINIMIZED WHERE POSSIBLE SO AS NOT TO CREATE A NUISANCE.

ELECTRICAL LEGEND		
USE	SYMBOL	DESCRIPTION
<b>LIGHTING</b>		
✓	FC	WALL MOUNTED LUMINAIRE 'X'
✓	PM	POLE MOUNTED LUMINAIRE 'X'
<b>SWITCHING &amp; CONTROLS</b>		
✓	TC	TIME CLOCK
<b>INCIDENTALS</b>		
✓	AFG	ABOVE FINISHED GRADE
✓	AFF	ABOVE FINISHED FLOOR

05			
04			
03			
02			
01	11.22.21	ISSUE FOR SITE PLAN APPROVAL	P.J.G.

NO.	DATE	REVISION	BY
-----	------	----------	----

ORIENTATION  
PROJECT NORTH

JOB NO: 22006

**MNE ENGINEERING**

MNE Engineering Inc.  
22 Kewoc Place - Box A  
Kitchener, Ontario N2C 2G5  
(519) 894-9408  
www.mneengineering.co

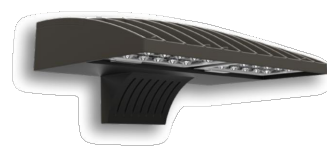
PROJECT: ROAD 120 SELF STORAGE UNITS

60 ROAD 120 ST. MARY'S, ON  
CLIENT: GRIT ENGINEERING INC.

DRAWING: SITE LIGHTING PLAN

SCALE: AS NOTED  
DATE: NOVEMBER 2021  
DRAWN: A.W.T.  
CHECKED: P.J.G.

DWG NO.: E1.1 SHEET NO.: 1 OF 2



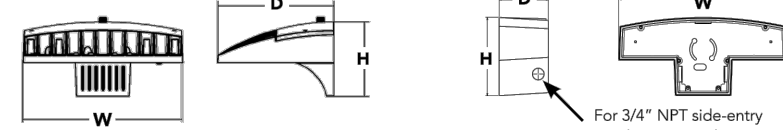
### D-Series Size 1 LED Wall Luminaire



d'series

**Specifications Luminaire**  
Width: 13-3/4" (34.9 cm)  
Depth: 10" (25.4 cm)  
Height: 6-3/8" (16.2 cm)

**Back Box (BBW, E20WC)**  
Width: 13-3/4" (34.9 cm) **BBW** 5 lbs (2.3 kg)  
Depth: 4" (102 mm) **E20WC** 10 lbs (4.5 kg)  
Height: 6-3/8" (16.2 cm)



Catalog Number  
Notes  
Type

Hit the tab key or mouse over the page to see all interactive elements.

#### Introduction

The D-Series Wall luminaire is a stylish, fully integrated LED solution for building-mount applications. It features a sleek, modern design and is carefully engineered to provide long-lasting, energy-efficient lighting with a variety of optical and control options for customized performance.

With an expected service life of over 20 years of nighttime use and up to 74% in energy savings over comparable 250W metal halide luminaires, the D-Series Wall is a reliable, low-maintenance lighting solution that produces sites that are exceptionally illuminated.

#### Ordering Information

EXAMPLE: DSKW1 LED 20C 1000 40K T3M MVOLT DDBTXD

Series	LEDs	Driver Current	Color Temperature	Distribution	Voltage	Mounting	Control Options
DSKW1 LED	10C 10 LEDs (line engine)	350 mA	30K 3000K	T2S Type II Short	MVOLT <sup>1</sup>	Shipped included (blank) Surface mounting bracket	Shipped installed PE Photovoltaic cell, button type <sup>4</sup>
	20C 20 LEDs (line engine) <sup>1</sup>	700 mA	40K 4000K	T2M Type II Medium	120V <sup>1</sup>	DMG Surface mounting bracket	D-10w dimming wires pulled outside fixture (for use with an external control, ordered separately)
	30C 30 LEDs (line engine) <sup>1</sup>	1000 mA	5000K	T2S Type II Short	208V <sup>1</sup>	DMG Surface mounting bracket	PIR 180° motion/ambient light sensor, <15° mrg ht <sup>12</sup>
	40C 40 LEDs (line engine) <sup>1</sup>	1300 mA	5000K	T2M Type II Medium	240V <sup>1</sup>	DMG Surface mounting bracket	PIR 180° motion/ambient light sensor, 15-30° mrg ht <sup>12</sup>

Other Options	Finish
Shipped installed SF Single fuse (120, 277 or 347V) <sup>11</sup>	DSKID Dark bronze
DF Double fuse (208, 240 or 480V) <sup>11</sup>	DBLID Black
MS House-side shield <sup>10</sup>	DNAXD Natural aluminum
SPD Separate surge protection <sup>12</sup>	DWHD White

- Accessories**  
Checked and shipped separately.  
DSKWI1 House side shield (see page 19)  
DSKWI100 Back cover plate  
DSKWI100 Vandal proof accessory
- NOTES**  
1. 20C, 30C is not available with PIR, PIRH, PIRHCY or PIRHCYV.  
2. MVOLT driver operation on any line voltage from 120-277V (50/60 Hz).  
3. Single fuse (SF) requires 120, 277 or 347 voltage option. Double fuse (DF) requires 208, 240 or 480 voltage option.  
4. Only available with 20C, 300mA or 1000mA. Not available with PIR or PIRH.  
5. Back box (BBW) installed on fixture. Cannot be field-installed. Cannot be ordered as an accessory.  
6. Photocell (PE) requires 120, 208, 240, 277 or 347 voltage option. Not available with motion/ambient light sensors (PIR or PIRH).  
7. Reference Mounting Sensor table on page 3.  
8. Same as old ELON. Cold weather (20C) rated. Not compatible with conduit entry applications. Not available with BBW mounting option. Not available with 347 or 480 voltage options. Emergency components located in back box housing. Emergency mode ES file located on product page at [www.lithonia.com](http://www.lithonia.com).  
9. Not available with SPD.  
10. Not available with E20WC.  
11. Also available as a separate accessory, see Accessories information.  
12. Not available with E20WC.

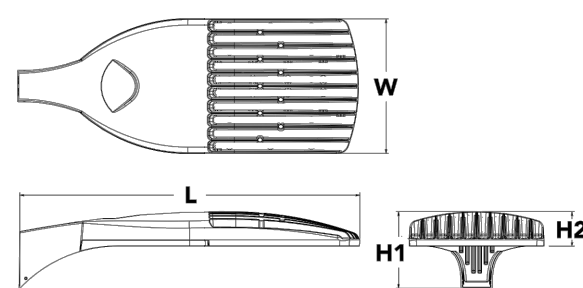


### D-Series Size 1 LED Area Luminaire



d'series

**Specifications EPA:** 1.01 ft<sup>2</sup> (0.09 m<sup>2</sup>)  
**Length:** 35" (88.9 cm)  
**Width:** 13" (33.0 cm)  
**Height H1:** 7-1/2" (19.0 cm)  
**Height H2:** 3-1/2" (8.9 cm)  
**Weight (max):** 27 lbs (12.3 kg)



Catalog Number  
Notes  
Type

Hit the tab key or mouse over the page to see all interactive elements.

#### Introduction

The modern styling of the D-Series is striking yet unobtrusive - making a bold, progressive statement even as it blends seamlessly with its environment. The D-Series distills the benefits of the latest in LED technology into a high performance, high efficacy, long-life luminaire.

The outstanding photometric performance results in sites with excellent uniformity, great pole spacing and lower power density. It is ideal for replacing up to 750W metal halide in pedestrian and area lighting applications with typical energy savings of 65% and expected service life of over 100,000 hours.

#### Ordering Information

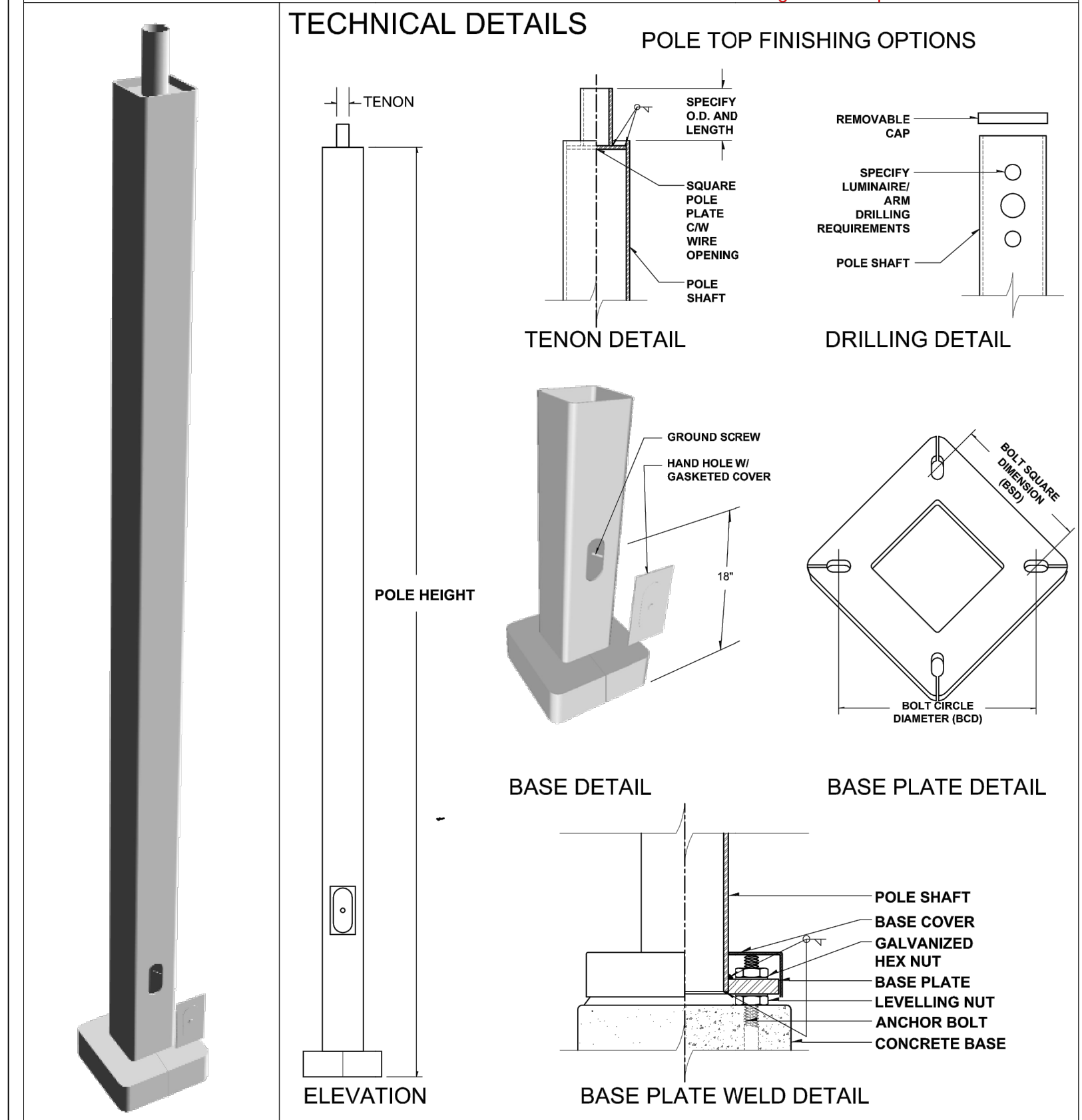
EXAMPLE: DSK1 LED P7 40K T3M MVOLT SPA NLTAR2 PIRHN DDBXD

Series	LEDs	Color Temperature	Distribution	Voltage	Mounting
DSK1 LED	Forward optics P1 P4 P7 P11	30K 3000K	T1S Type I Short (Automated)	MVOLT <sup>1</sup>	Shipped included SPA Square pole mounting
	P2 P5 P8	40K 4000K	T2S Type II Short	120V <sup>1</sup>	SPA Round pole mounting <sup>8</sup>
	P6 P9	50K 5000K	T2M Type II Medium	208V <sup>1</sup>	WBA Wall bracket <sup>9</sup>
	Rotated optics P10 <sup>2</sup> P12 <sup>2</sup> P13 <sup>2</sup>		T3S Type III Short	240V <sup>1</sup>	SPUMBA Square pole universal mounting adaptor <sup>11</sup>

Control options	Other options	Finish
Shipped installed NLTAR2 Single (8-pin) operation 2 enabled <sup>11</sup>	PIR High flow, motion/ambient sensor, 8-15' mounting height, ambient sensor enabled at 16" <sup>12</sup>	DSKID Dark bronze
PIRHN Network, high/low motion/ambient sensor <sup>10</sup>	PIRHN High flow, motion/ambient sensor, 15-30' mounting height, ambient sensor enabled at 16" <sup>12</sup>	DRELD Black
PER NEMA twist-lock receptacle only (controls ordered separate) <sup>10</sup>	PIRHCYV High flow, motion/ambient sensor, 8-15' mounting height, ambient sensor enabled at 16" <sup>12</sup>	DNAXD Natural aluminum
PERS Five-pin receptacle only (controls ordered separate) <sup>10,11</sup>	PIRHCYV High flow, motion/ambient sensor, 15-30' mounting height, ambient sensor enabled at 16" <sup>12</sup>	DWHD White
PER7 Seven-pin receptacle only (controls ordered separate) <sup>10,11</sup>	PIRHCYV High flow, motion/ambient sensor, 15-30' mounting height, ambient sensor enabled at 16" <sup>12</sup>	DBLID Textured dark bronze
DMG D-10w dimming wires pulled outside fixture (for use with an external control, ordered separately) <sup>1</sup>	FAO Field adjustable output <sup>10,11</sup>	DNAXD Textured natural aluminum
DS Dual switching <sup>10,11</sup>		DWHD Textured white

- Shipped separately**  
KMAS DDBXD<sup>10</sup> Mast arm mounting bracket adaptor (specify finish)<sup>11</sup>

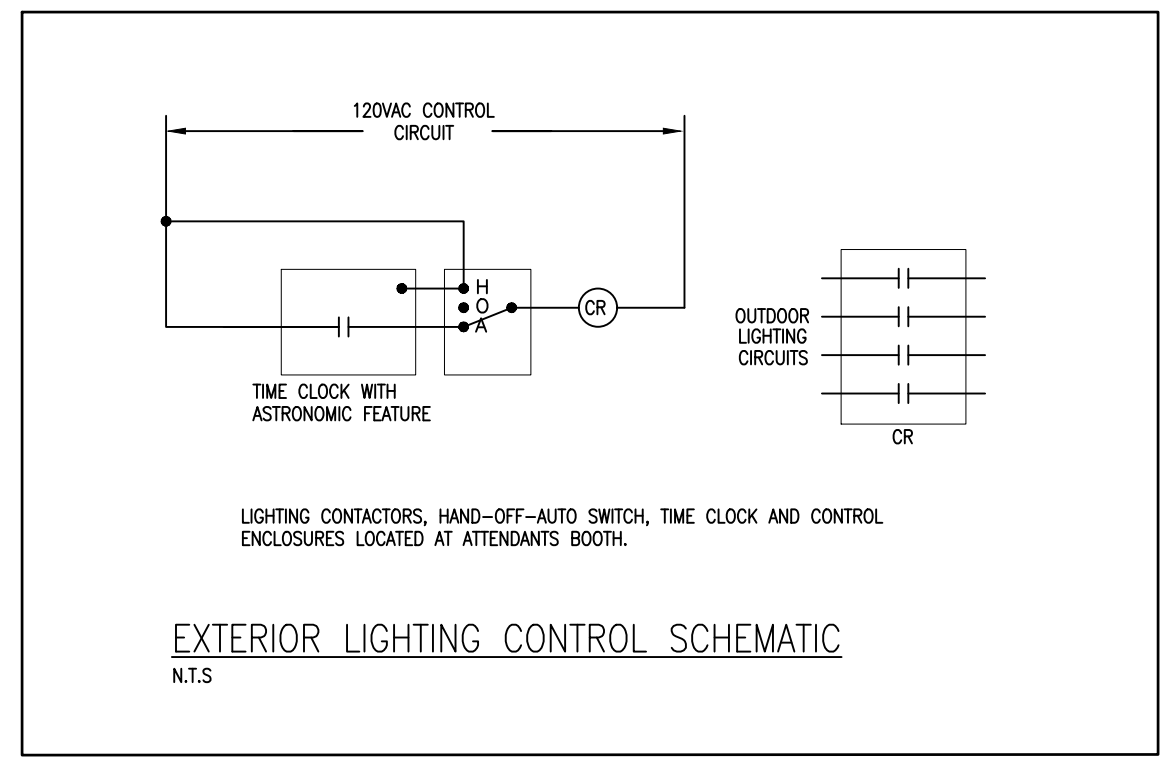
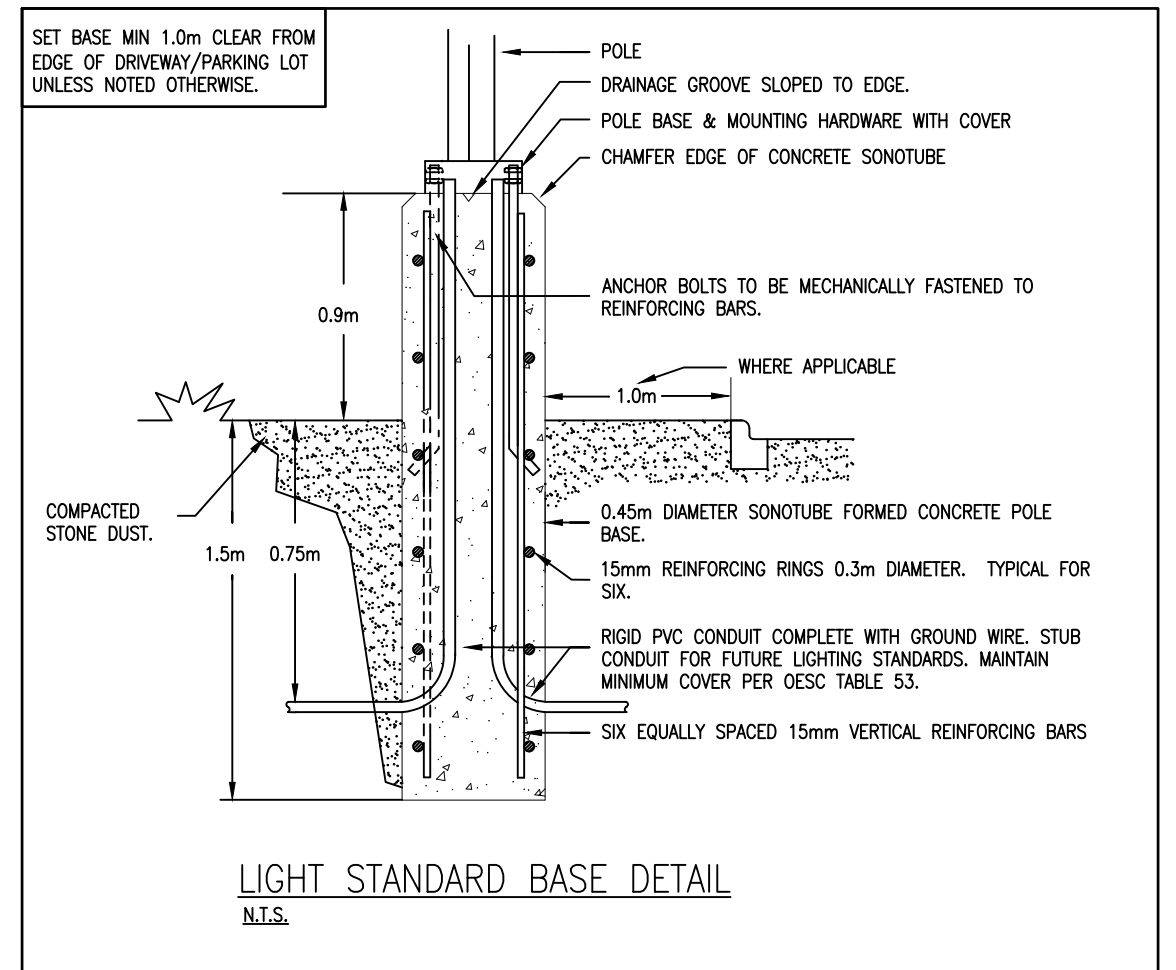
# SSS series straight square steel



**DYNAPOLE**  
www.dynapole.com  
2425 Lockrow Drive, Mississauga, ON L5S 1H1 Canada  
Tel. (905) 671-1507 Fax (905) 671-4606 Toll-Free 1-877-DYNAPOLE

DRAWING TITLE: STRAIGHT SQUARE STEEL  
MODEL: SSS  
DRAWN BY: CGT  
DATE: 06/28/04  
SCALE: NTS

NOTES: MATERIAL: STEEL  
SHAFT: 50,000 PSI MIN. YIELD  
BASE PLATE: 44,000 PSI MIN. YIELD



### TYPE 'XX' LUMINAIRE

TYPE	MANUFACTURER	MODEL	LAMPS QUANTITY-TYPE	MOUNTING	VOLTAGE	NOTES
XAA	LITHONIA	DSKW1 LED 10C 700 30K T3M SF XX	27W LED	W 2.75m AFF	120	
XAB	LITHONIA	DSKW1 LED 10C 700 30K T3M SF XX	27W LED	W 2.75m AFF	120	
XAC	LITHONIA	DSKW1 LED 10C 700 30K T3S SF XX	27W LED	W 2.75m AFF	120	
XAD	LITHONIA	DSKW1 LED 10C 1000 30K T3M SF XX	40W LED	W 2.75m AFF	120	
XAE	LITHONIA	DSKW1 LED 20C 700 30K T3M SF XX	47W LED	W 2.75m AFF	120	
XAF	LITHONIA	DSKW1 LED 20C 700 30K T3M SF XX	47W LED	W 2.75m AFF	120	
XBA	LITHONIA	DSK1 LED P3 30K BLC SPA SF XX	102W LED	P 6.1m SSS	120 *3	
XBB	LITHONIA	DSK1 LED P1 30K BLC SPA SF XX	54W LED	P 3.05m SSS	120 *3	

Description	Symbol	Avg	Max	Min	Max/Min	Avg/Min
PARKING & DRIVE AREAS	+	2.1 FC	6.6 FC	0.1 FC	66.0:1	21.0:1
ENTRY DRIVEWAY	+	2.1 FC	3.2 FC	0.9 FC	3.6:1	2.3:1
OUTDOOR STORAGE EAST	+	0.1 FC	0.3 FC	0.0 FC	N/A	N/A
OUTDOOR STORAGE WEST	+	0.2 FC	0.5 FC	0.0 FC	N/A	N/A
PROPERTY LINE	+	0.0 FC	1.2 FC	0.0 FC	N/A	N/A

### TYPE 'XB' LUMINAIRE

### TYPE 'XB' POLE

NO.	DATE	REVISION	BY
05			
04			
03			
02			
01	11.22.21	ISSUE FOR SITE PLAN APPROVAL	P.J.G.

ORIENTATION  
JOB NO: 22006

**MNE ENGINEERING**  
MNE Engineering Inc.  
22 Kewoc Place - Box A  
Kitchener, Ontario N2C 2G5  
(519) 894-9408  
www.mneengineering.co

PROJECT: ROAD 120 SELF STORAGE UNITS  
60 ROAD 120 ST. MARY'S, ON

CLIENT: GRIT ENGINEERING INC.  
DRAWING: LUMINAIRE DETAILS, SCHEMATIC, SCHEDULE & STATISTICS

SCALE: N.T.S.  
DATE: NOVEMBER 2021  
DRAWN: A.W.T.  
CHECKED: P.J.G.  
DWG NO.: E2.1  
SHEET NO.: 2 OF 2